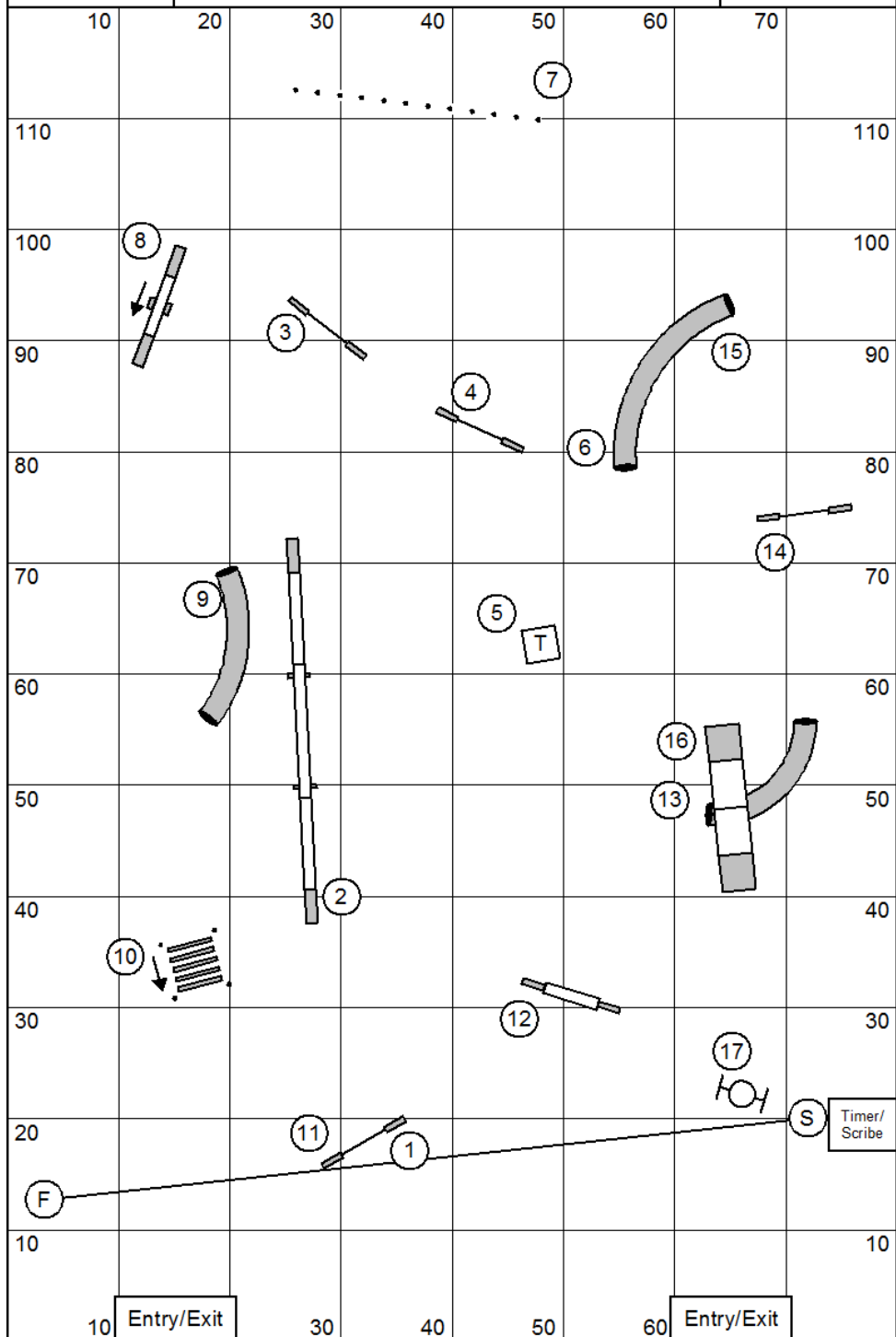


# Starters Standard 1

Jan 4-5, 2020



## Starters Standard 1

MOTO Agility Judge: Meaghan O'Neill

Course Length: ft = yd

Max Course Time: (M.V. SCT + 20) = sec

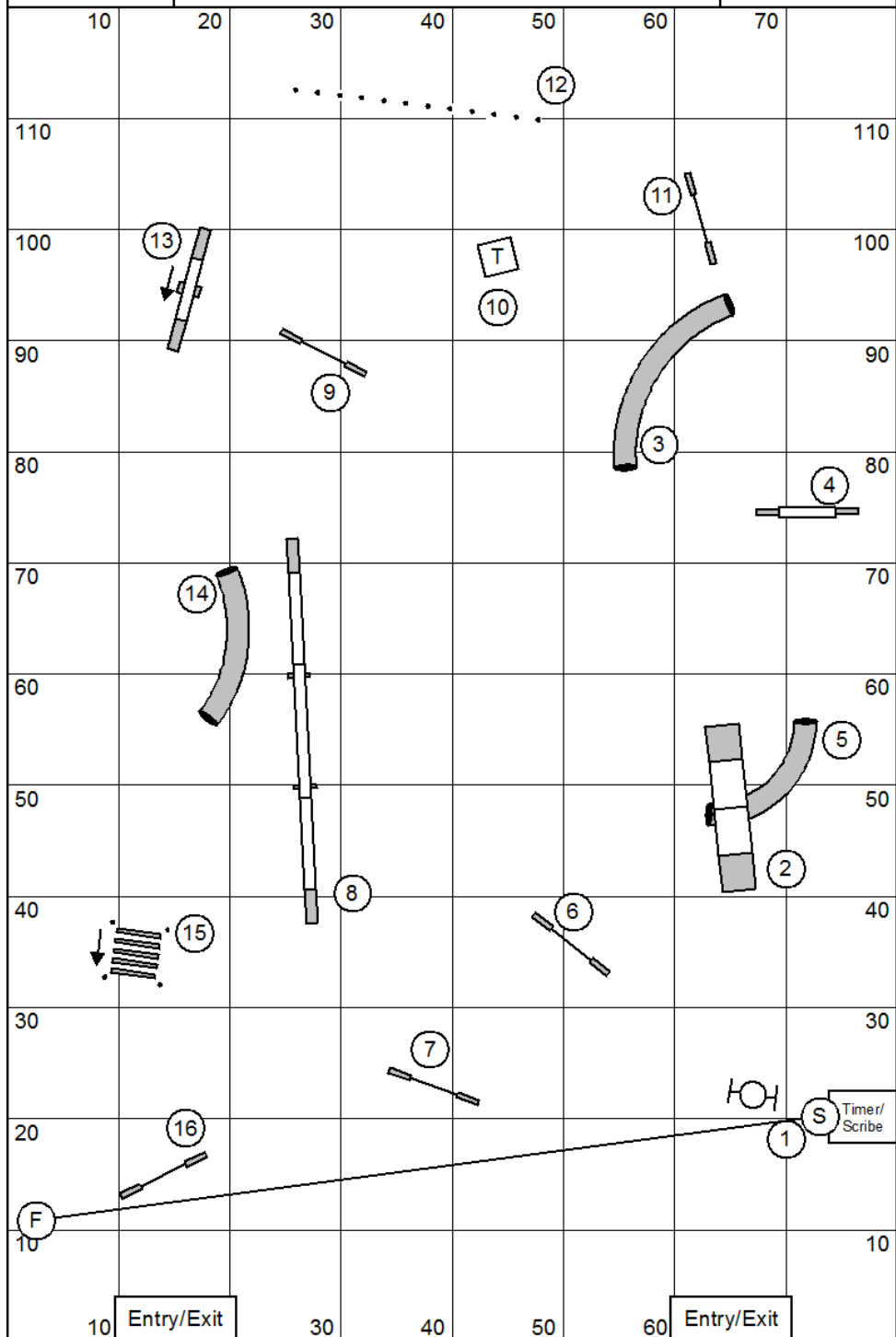
Open/Spec:(yd/2.45)= +5 sec Open Vet:(x1.2)= +5 sec

Med/Spec: (yd/2.15)= +5 sec Med Vet:(x1.2)= +5 sec

Mini/Spec: (Med +5)= +5 sec Mini Vet:(x1.2)= +5 sec

# Starters Standard 2

Jan 4-5, 2020



## Starters Standard 2

MOTO Agility Judge: Meaghan O'Neill

Course Length: ft = yd

Max Course Time: (M.V. SCT + 20) = sec

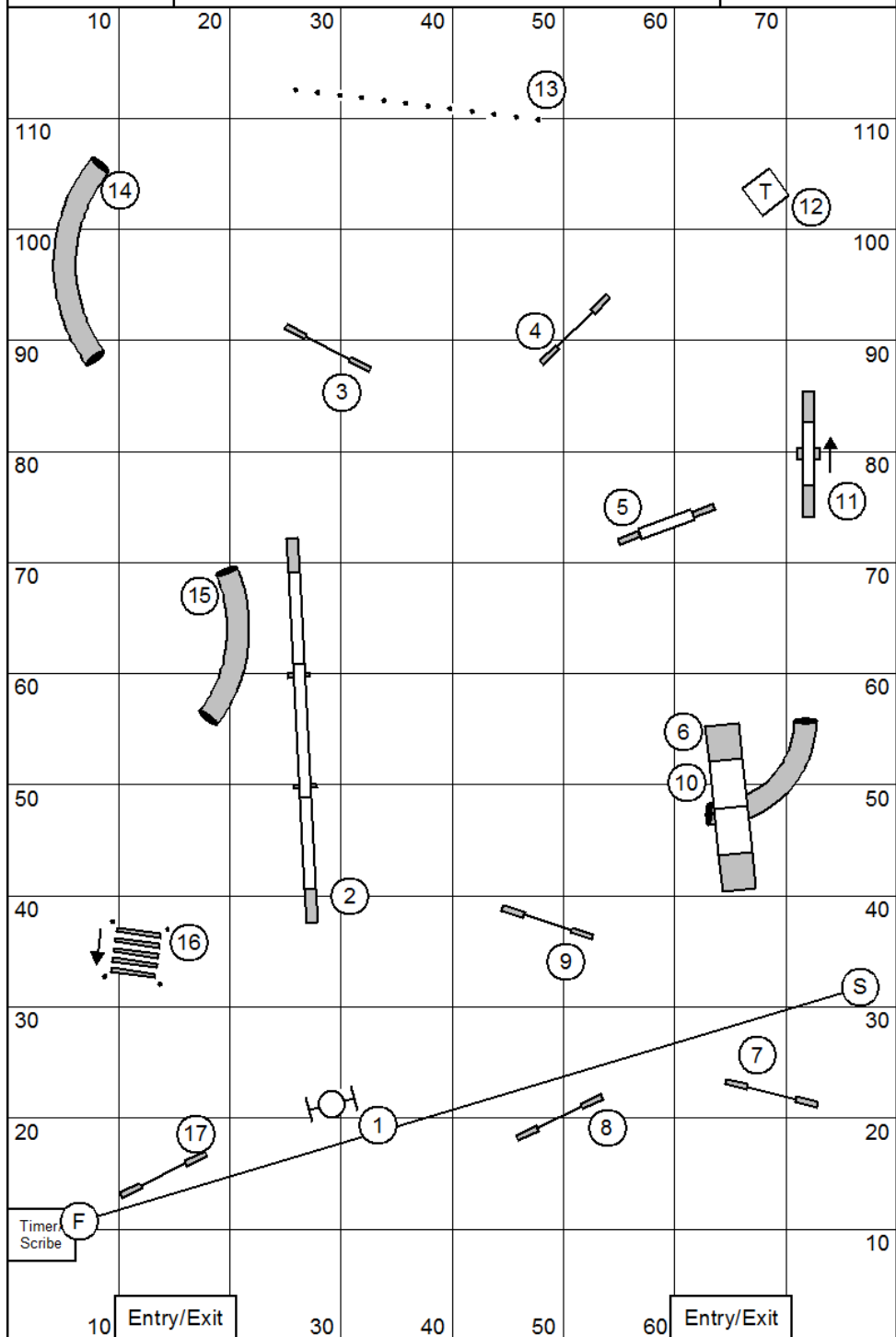
Open/Spec:(yd/2.35)= +5 sec Open Vet:(x1.2)= +5 sec

Med/Spec: (yd/2.10)= +5 sec Med Vet:(x1.2)= +5 sec

Mini/Spec: (Med +5)= +5 sec Mini Vet:(x1.2)= +5 sec

# Starters Standard 3

Jan 4-5, 2020



## Starters Standard 3

MOTO Agility Judge: Meaghan O'Neill

Course Length: ft = yd

Max Course Time: (M.V. SCT + 20) = sec

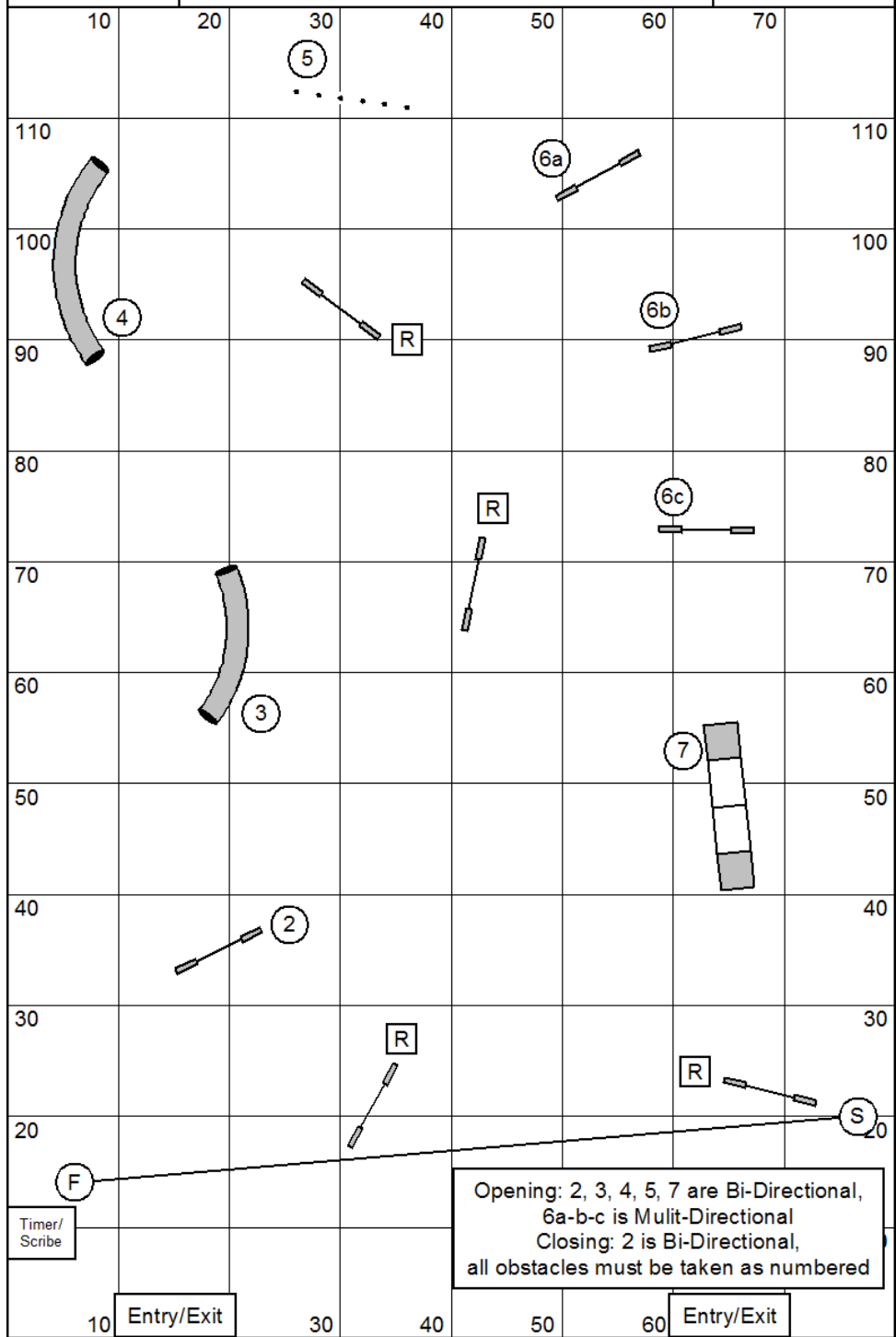
Open/Spec:(yd/2.35)= +5 sec Open Vet:(x1.2)= +5 sec

Med/Spec: (yd/2.10)= +5 sec Med Vet:(x1.2)= +5 sec

Mini/Spec: (Med +5)= +5 sec Mini Vet:(x1.2)= +5 sec

# Starters Snooker 1

Jan 4-5, 2020



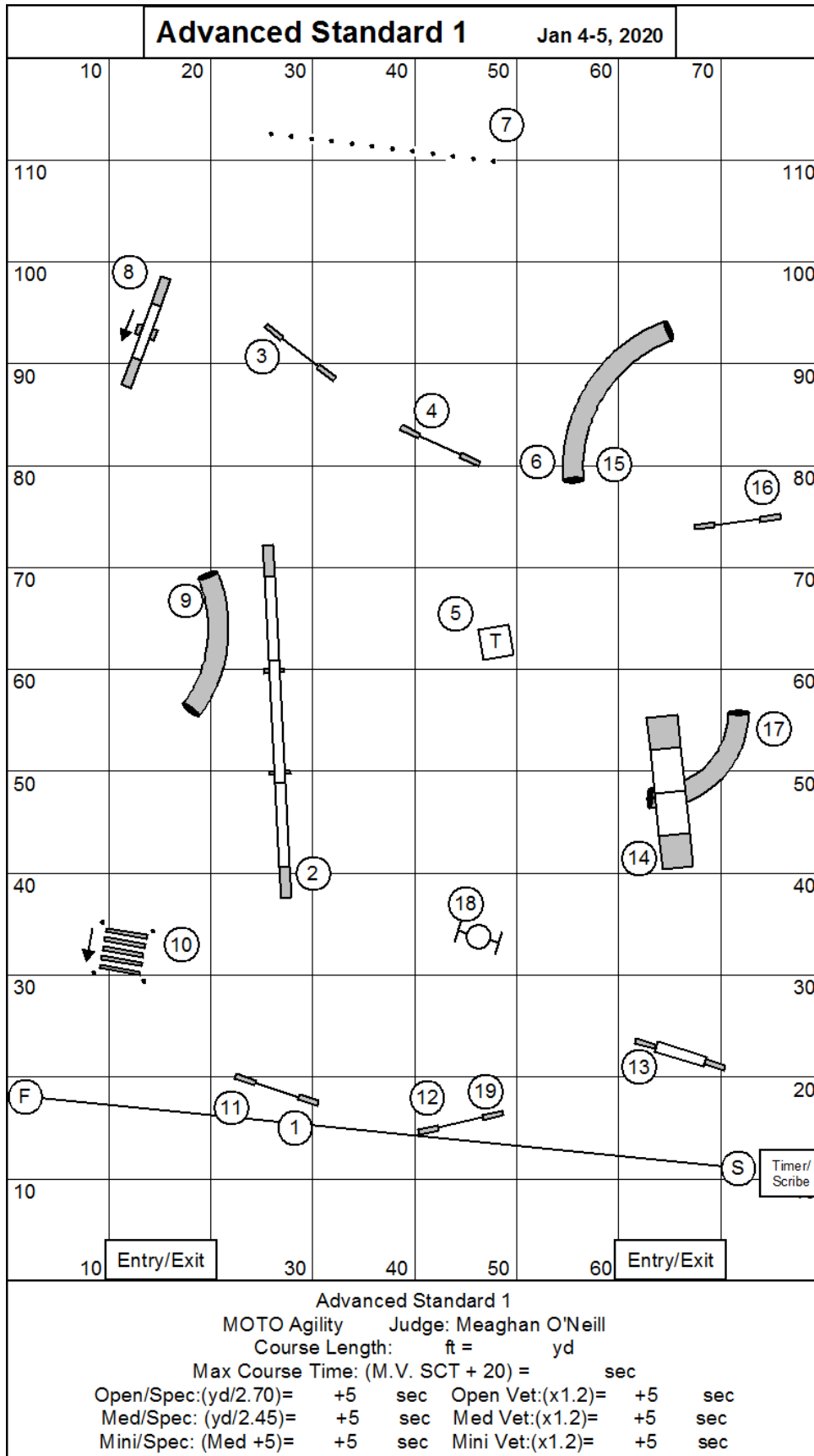
## Starters Snooker 1

MOTO Agility

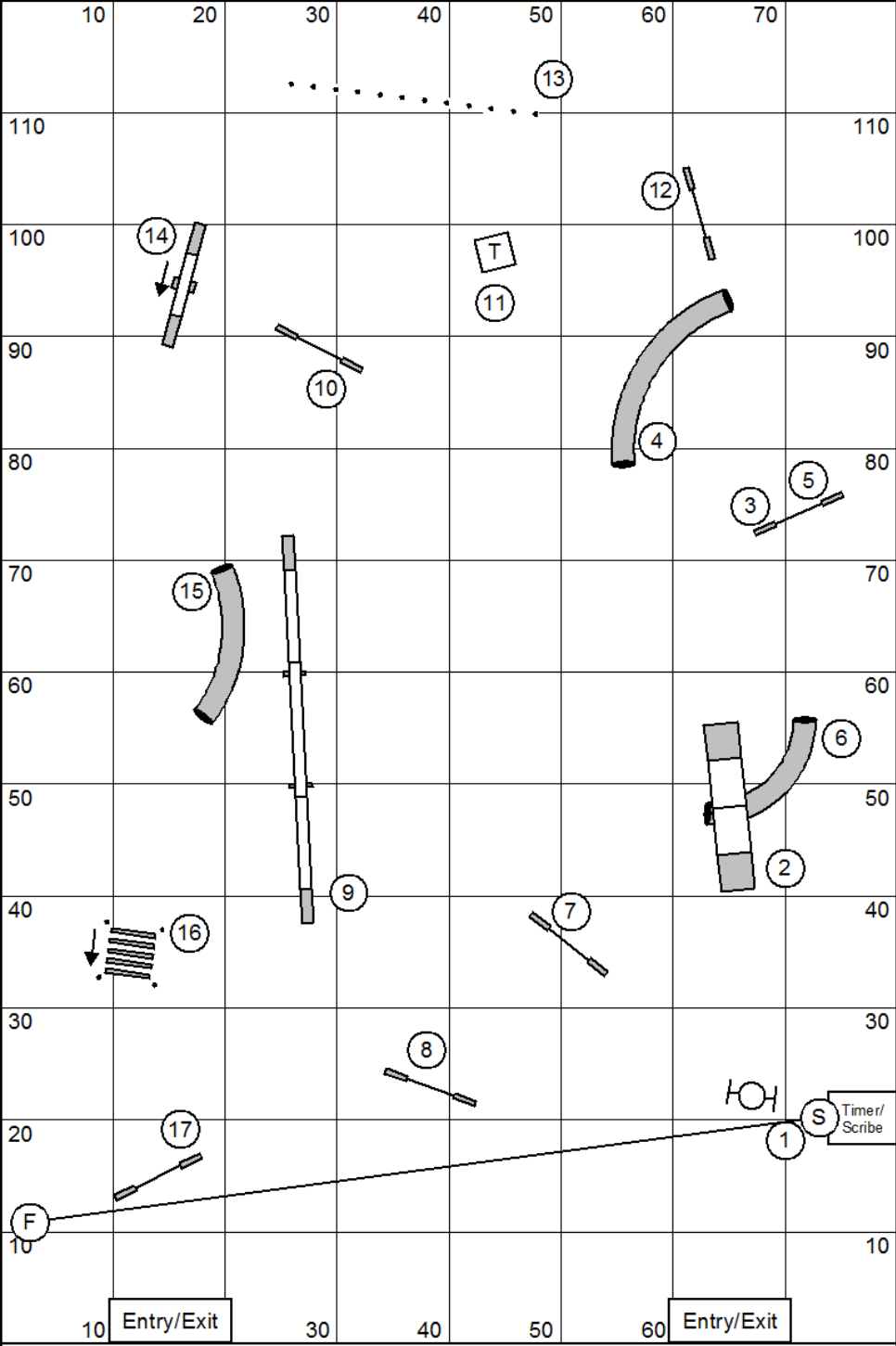
Judge: Meaghan O'Neill

Time: 60 Sec

Open/Med-Spec: 37 Pts    Mini-Spec: 35 Pts  
 Open/Med-Vet/JH: 32 Pts    Mini-Vet/JH: 30 Pts

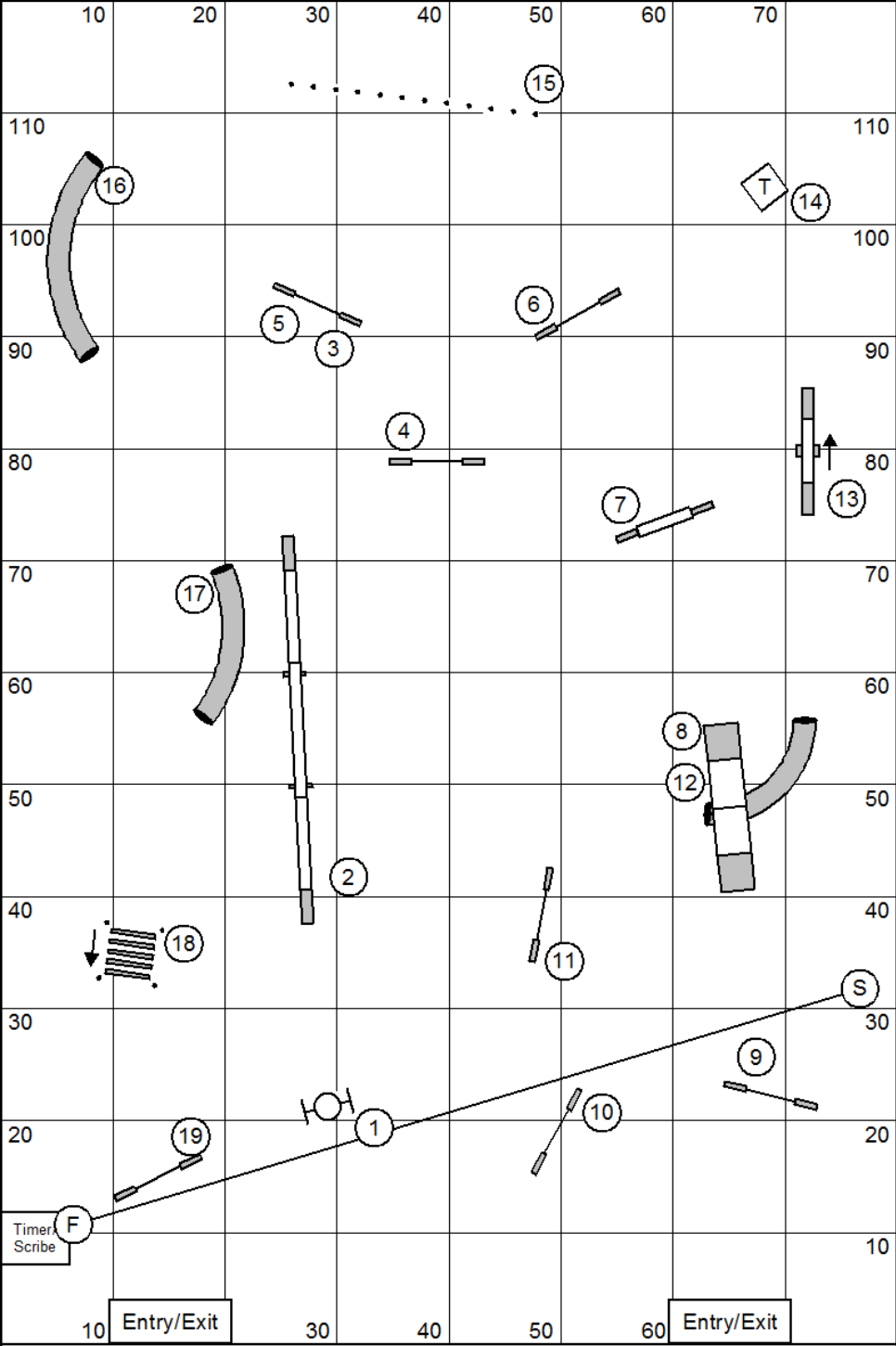


**Advanced Standard 2** Jan 4-5, 2020



**Advanced Standard 2**  
 MOTO Agility Judge: Meaghan O'Neill  
 Course Length: ft = yd  
 Max Course Time: (M.V. SCT + 20) = sec  
 Open/Spec:(yd/2.65)= +5 sec    Open Vet:(x1.2)= +5 sec  
 Med/Spec: (yd/2.40)= +5 sec    Med Vet:(x1.2)= +5 sec  
 Mini/Spec: (Med +5)= +5 sec    Mini Vet:(x1.2)= +5 sec

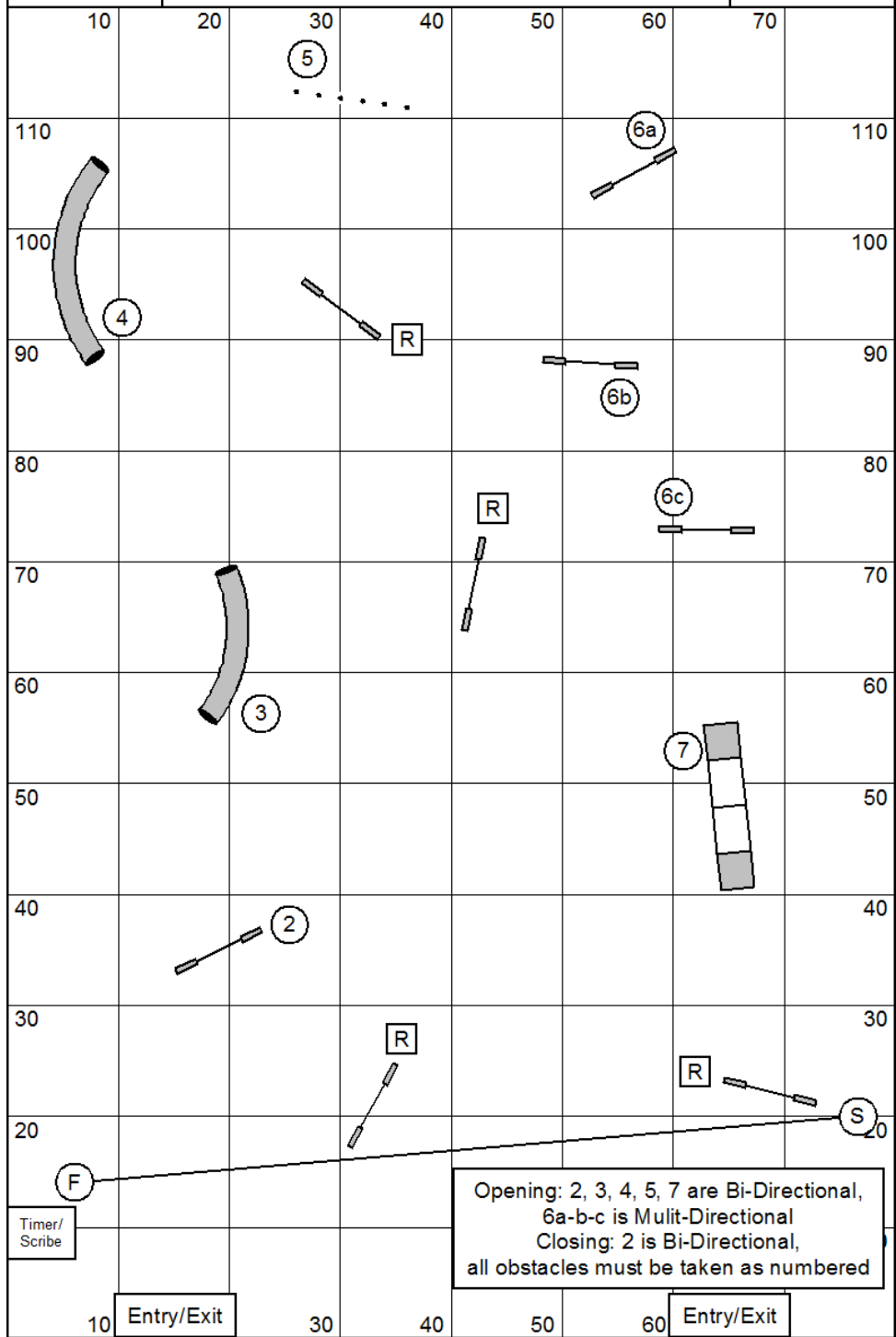
**Advanced Standard 3** Jan 4-5, 2020



**Advanced Standard 3**  
 MOTO Agility Judge: Meaghan O'Neill  
 Course Length: ft = yd  
 Max Course Time: (M.V. SCT + 20) = sec  
 Open/Spec:(yd/2.65)= +5 sec    Open Vet:(x1.2)= +5 sec  
 Med/Spec: (yd/2.40)= +5 sec    Med Vet:(x1.2)= +5 sec  
 Mini/Spec: (Med +5)= +5 sec    Mini Vet:(x1.2)= +5 sec

# Advanced Snooker 1

Jan 4-5, 2020



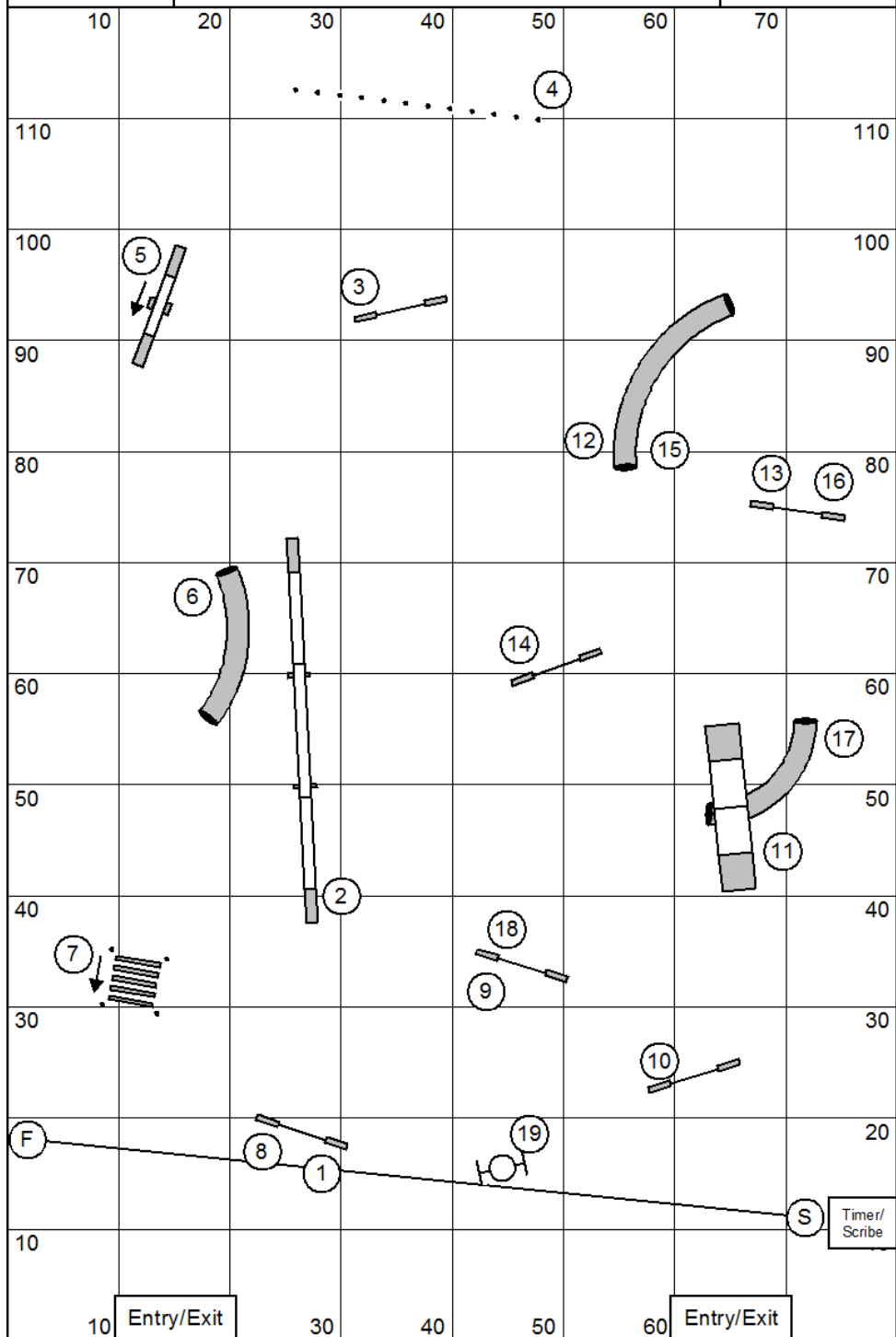
Opening: 2, 3, 4, 5, 7 are Bi-Directional,  
 6a-b-c is Mult-Directional  
 Closing: 2 is Bi-Directional,  
 all obstacles must be taken as numbered

Advanced Snooker 1  
 MOTO Agility  
 Judge: Meaghan O'Neill  
 Time: 60 Sec  
 Open/Med-Spec: 37 Pts    Mini-Spec: 35 Pts  
 Open/Med-Vet/JH: 32 Pts    Mini-Vet/JH: 30 Pts



# Masters Standard 1

Jan 4-5, 2020



## Masters Standard 1

MOTO Agility Judge: Meaghan O'Neill

Course Length: ft = yd

Max Course Time: (M.V. SCT + 20) = sec

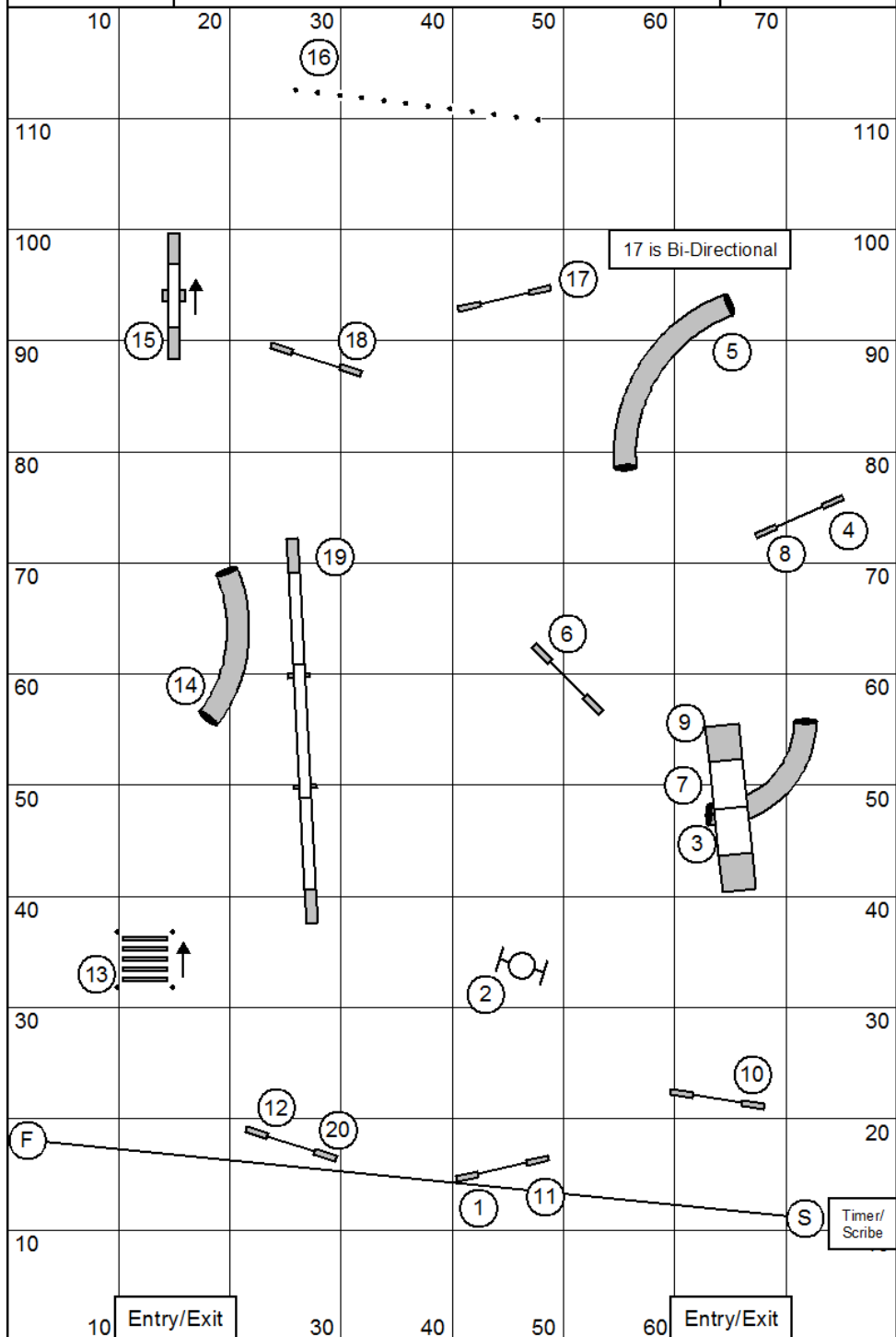
Open/Spec: (yd/3.15) = sec    Open Vet: (x1.2) = sec

Med/Spec: (yd/2.85) = sec    Med Vet: (x1.2) = sec

Mini/Spec: (Med +5) = sec    Mini Vet: (x1.2) = sec

# Masters Standard 2

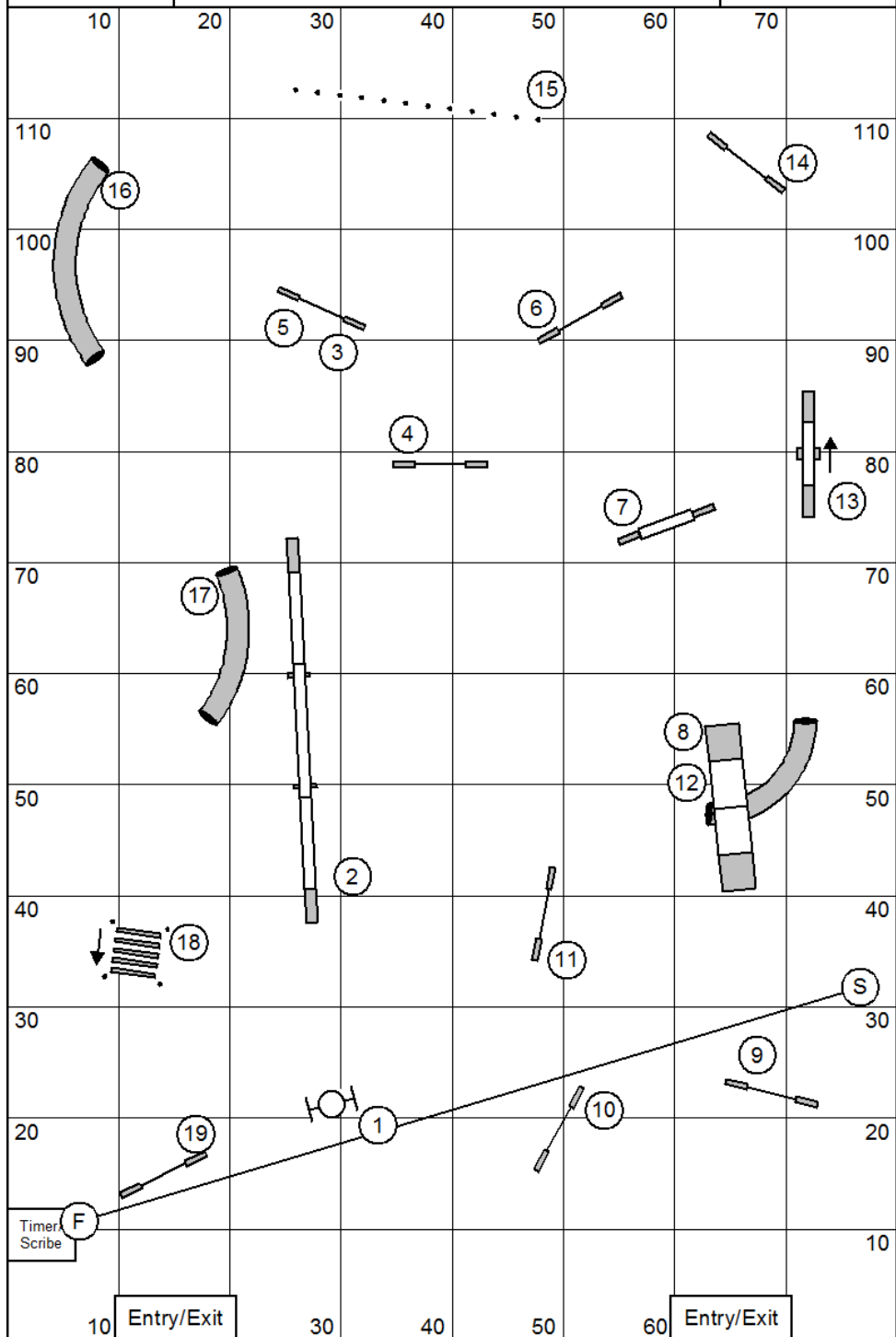
Jan 4-5, 2020



Masters Standard 2  
 MOTO Agility Judge: Meaghan O'Neill  
 Course Length: ft = yd  
 Max Course Time: (M.V. SCT + 20) = sec  
 Open/Spec: (yd/3.10) = sec    Open Vet: (x1.2) = sec  
 Med/Spec: (yd/2.80) = sec    Med Vet: (x1.2) = sec  
 Mini/Spec: (Med +5) = sec    Mini Vet: (x1.2) = sec

# Masters Standard 3

Jan 4-5, 2020



## Masters Standard 3

MOTO Agility Judge: Meaghan O'Neill

Course Length: ft = yd

Max Course Time: (M.V. SCT + 20) = sec

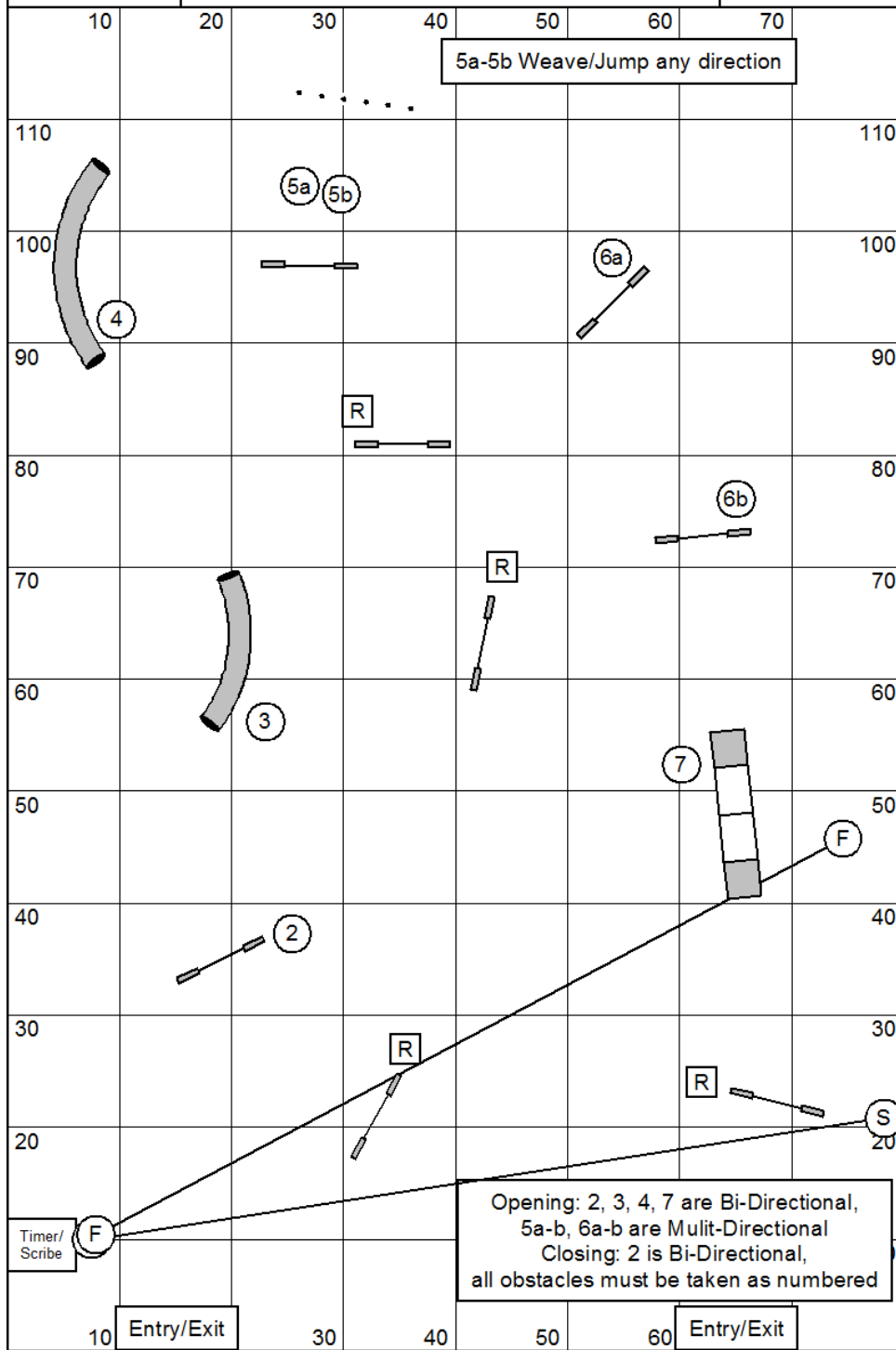
Open/Spec: (yd/3.25) = sec    Open Vet: (x1.2) = sec

Med/Spec: (yd/2.90) = sec    Med Vet: (x1.2) = sec

Mini/Spec: (Med + 5) = sec    Mini Vet: (x1.2) = sec

# Masters Snooker 1

Jan 4-5, 2020



## Masters Snooker 1

MOTO Agility

Judge: Meaghan O'Neill

Time: 55 Sec

Open/Med-Spec: 40 Pts    Mini-Spec: 38 Pts  
 Open/Med-Vet/JH: 34 Pts    Mini-Vet/JH: 32 Pts

